



BEYOND MONOFOCAL

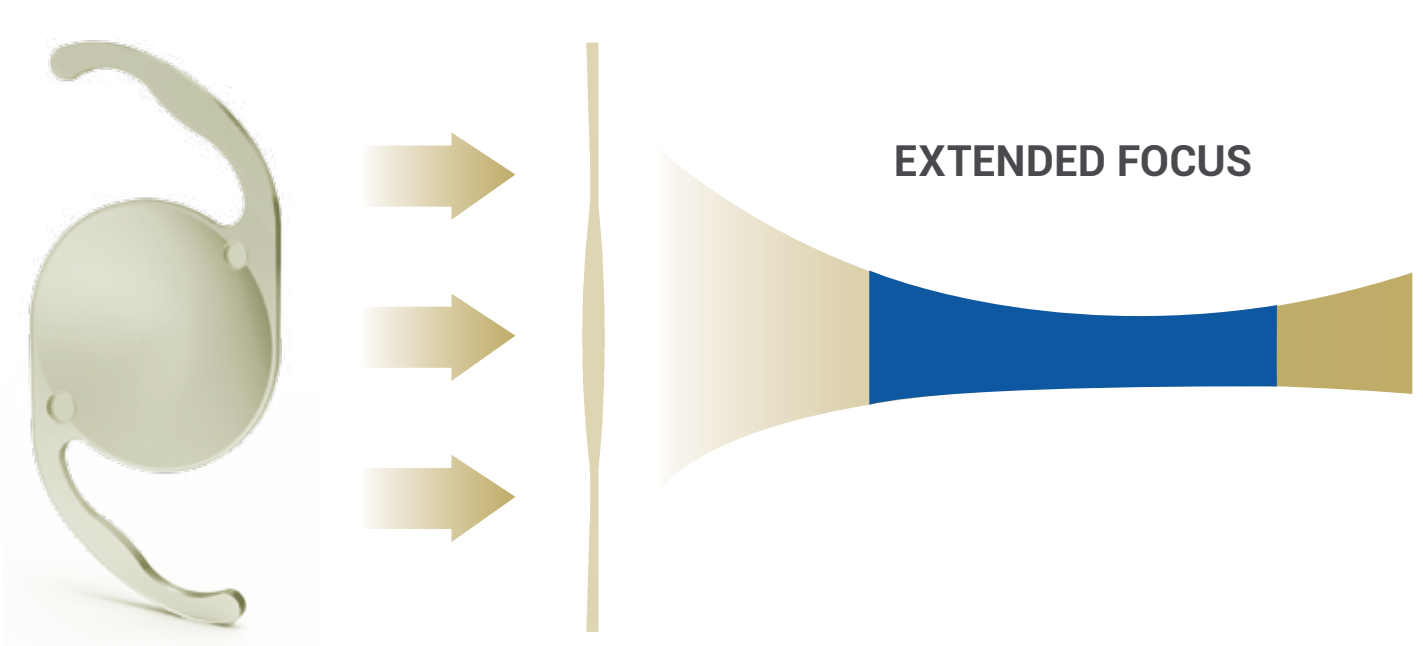
Magnificent
UHD

Ultra High Depth of Focus



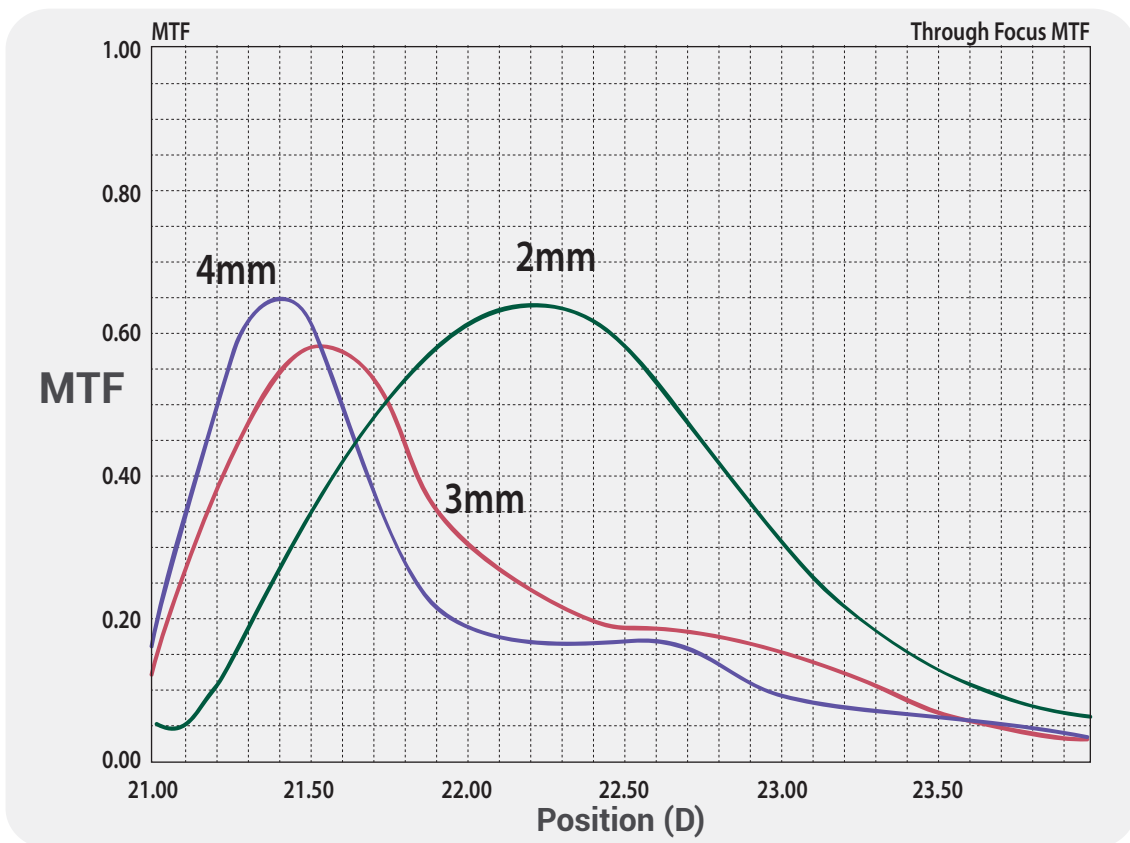
Magnificent Dynamic Adaptation

Extended Depth through Hyper Aspheric design



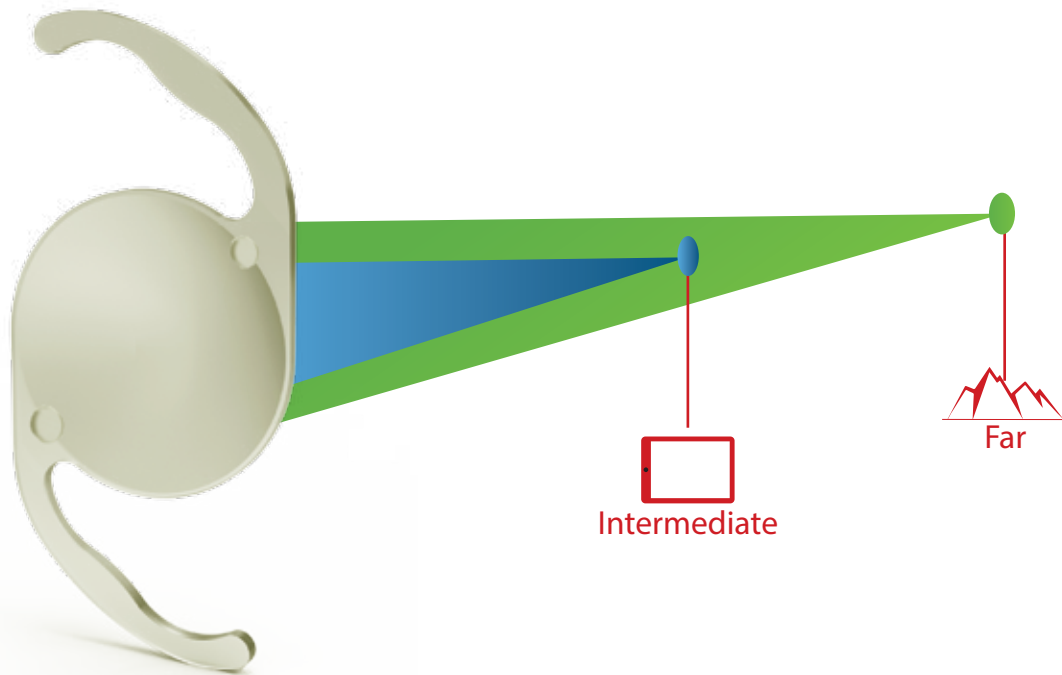
Advantages

- © Provides Seamless Vision for Intermediate and Distance
- © Suitable for All Patients, to have an universal appeal
- © Excellent Contrast for all distances










Magnificent Dynamic Light Distribution



© Optimized Hyper Aspheric profile provides excellent vision in all light conditions.

© Unique Haptic design provides excellent fixation in the capsular bag with ideal stability and centration.

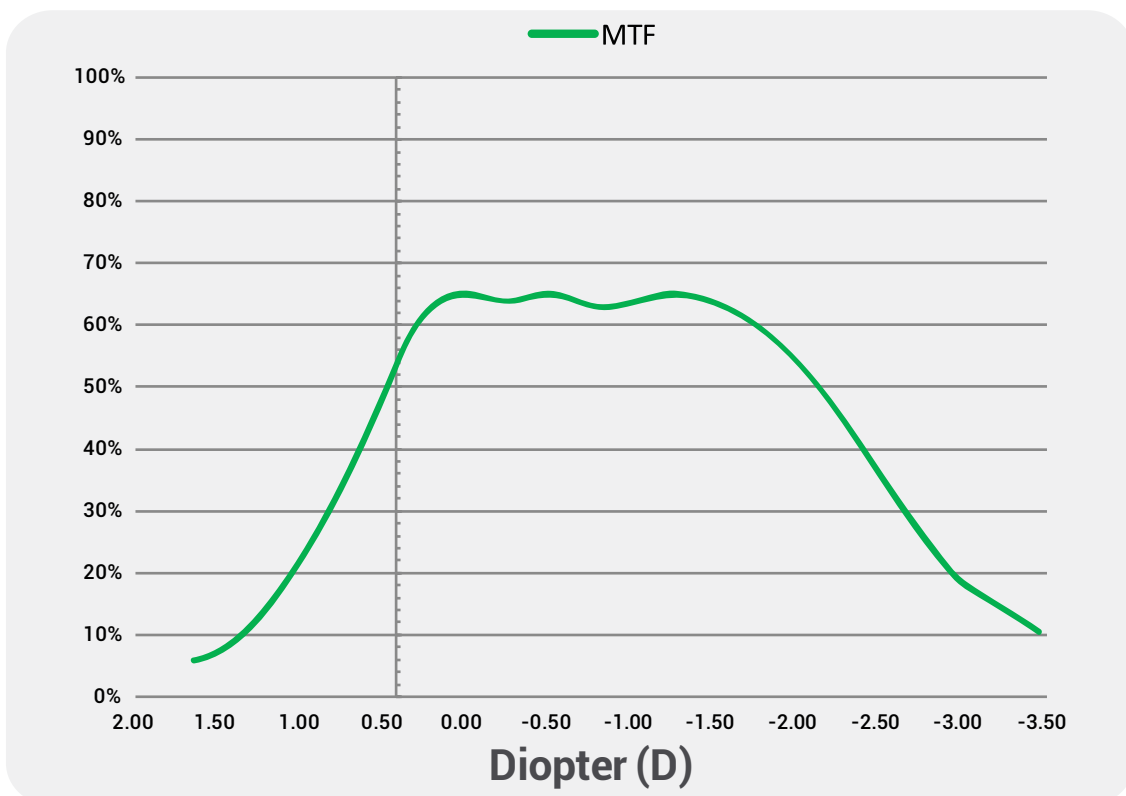
RANGE OF VISION	NEAR (40 CM) 	INTERMEDIATE (66 CM) 	FAR (4 M+) 
IOL OPTIONS	HOBBIES AND ACTIVITIES		
	<ul style="list-style-type: none"> • Readings Book • Using your smartphone 	<ul style="list-style-type: none"> • Using a computer or Laptop • Using Tablet 	<ul style="list-style-type: none"> • Reading traffic & road signs • Playing sports
Magnificent UHDOF IOL	Functional near vision (Reduced need for glasses)	✓	✓
Conventional IOL	Glasses often required 	Glasses often required 	✓

Visual Outcome Chart



Magnificent Dynamic Optic Performance

MTF (Modulation Transfer Function) is a crucial attribute of an optical system to transfer contrast from the object to the image. A higher MTF value ensures better contrast sensitivity.

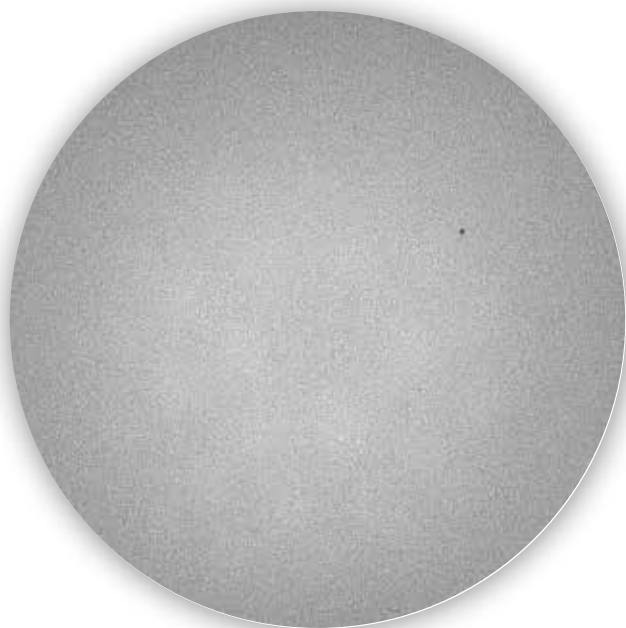




Magnificent Patented Material Technology

Magnificent HD is an essentially a glistening free material to reduce visual disturbances, minimising the loss of light.

The optical quality is enhanced through a unique cast molding process without a need for any subsequent polishing process



Apart from the novel design, the material is developed to have enhanced stability across the temperature gradient for better operating room experience for surgeons and exceptional visual outcomes for patients

Magnificent Image (22X) at accelerated glistening formation conditions

We set a new standard in preventing glistenings by developing a material that maintains the long range order through the product life cycle.

The Magnificent HD lens material is equivalent or superior to the material of new generation hydrophobic lenses.

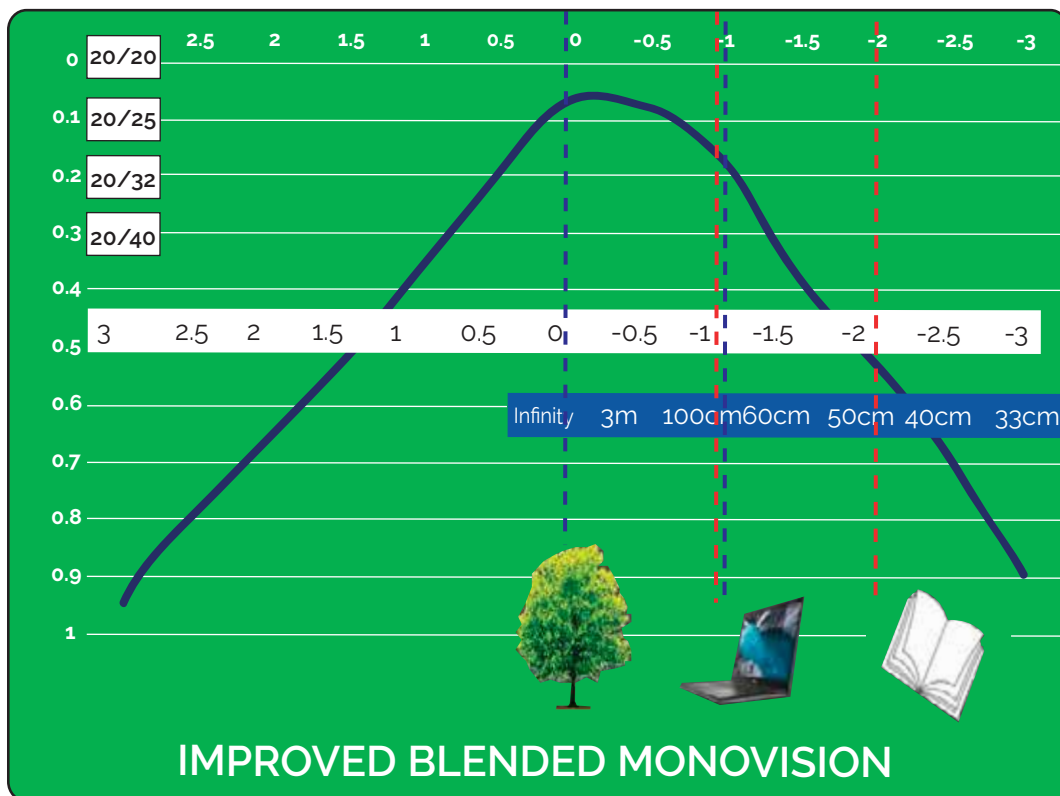


Magnificent with Versatility

- ⦿ Improved Intermediate Vision
- ⦿ Improved Uncorrected Distance Vision
- ⦿ Improved Blended Monovision

Target : Emmetropia

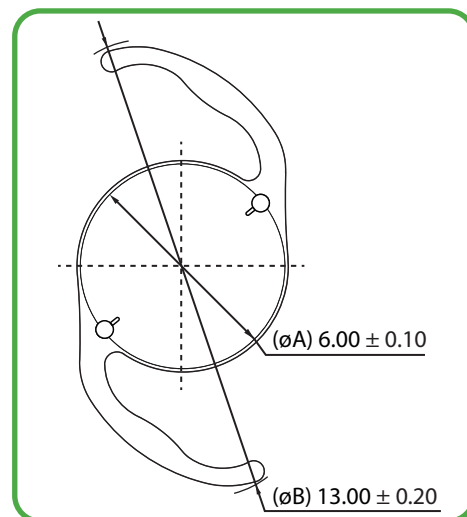
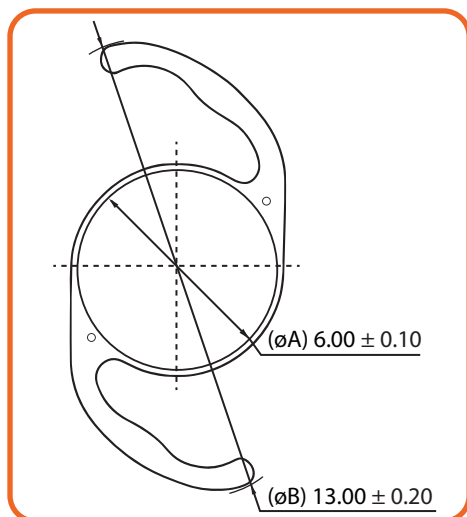
6 Month results	UCVA >20/30	UCIV >N10	UCNV >N10
Magnificent	100%	100%	50%
Conventional	80%	18%	9%



— Magnificent



Magnificent Technical Parameters



Platform	Ultra High Depth of Focus, Foldable, Single Piece, Synchronised cast molded hydrophobic acrylic IOL	
Model	AS-6A	AS-6AT
Optic Design	UHDF (Patented Technology)	UHDF Toric (Patented Technology)
Optic Size	6.00 mm	
Haptic Size	13.00 mm	
Haptic Design	C loop haptic (suitable for MICS)	
Haptic Angle	0°, Uniplanar	
Material	Hydrophobic acrylic polymer with UV filter & blue light blocker	
Optic Type	Negative Aspheric	
Light Transmission	> 90.0 %	
Square Edge	All Enhanced Square Edge	
Refractive Index Wet	25° C; 1.535 ± 0.002	
Acoustic A Constant	118.8	
Optical A Constant	SRK-T: 119.3 Haigis a0, a1, a2: 1.362, 0.4, 0.1 Hoffer Q pACD: 5.57 Holladay sf: 1.79 Barrett Universal II LF: 1.91	
Diopter Power Range	sph 0.0 D to +35.0 D (0.5 D increment)	sph 0.0 D to +35.0 D (0.5 D increment) cyl +0.5 D to + 6.0 D (0.5 D increment)



care
GROUP
LOOK FORWARD

CAREGROUP SIGHT SOLUTION PRIVATE LIMITED

Block No.: 310/C&E, Village Dabhasa, Taluka - Padra,
Dist. Vadodara, Gujarat - 391 440
INDIA

customercare@caregroupiol.com
www.caregroupiol.com