



## The True Trifocal IOL For Near, Intermediate and Distance Vision

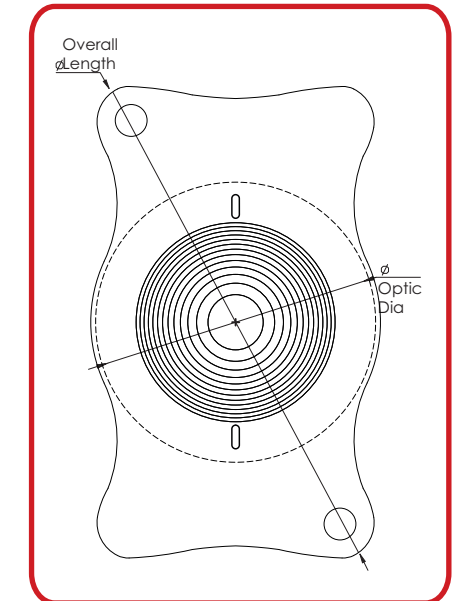
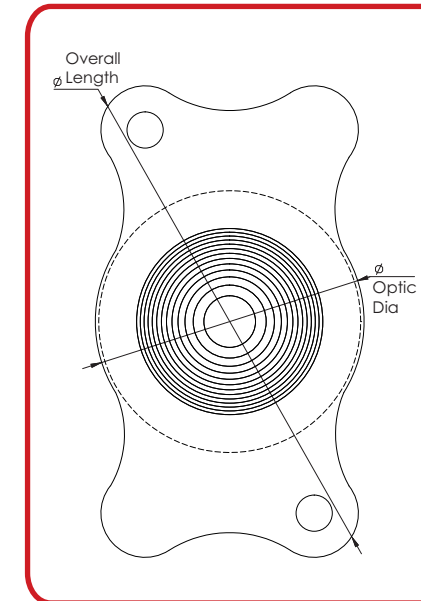
Provides Trifocal Vision  
(Near, Intermediate and Distance)

Reduces Pupil Dependency

The True Trifocal IOL

Balanced Distribution of Light

## Intellectually Redefined Vision



	TDIFF-P1	TDIFFT-P1
<b>Model</b>	TDIFF-P1	TDIFFT-P1
<b>Material</b>	Hydrophilic Acrylic	
<b>IOL Powers</b> (Spherical Equivalent Diopters)	+0.0 D to +40.0 D in 0.5 D Steps	+0.0 D to +30.0 D in 0.5 D Steps
<b>IOL Cylinder Power</b>	-	1.00 D to 6.00 D ( in 0.5 D Steps )
<b>Addition for Near Focus</b>	+3.5 D for Near   +1.8 D for Intermediate	+3.5 D for Near   +1.8 D for Intermediate
<b>Optic Diameter</b>	6.00 mm	6.00 mm
<b>Overall Length</b>	10.75 mm to 11.25 mm	10.75 mm to 11.25 mm
<b>Optic Type</b>	Diffractive Trifocal Aspheric Optic	Anterior - Diffractive Aspheric   Posterior - Toric Optic
<b>Haptic Angulation</b>	0° (Plano)	
<b>Haptic Configuration</b>	Modified Plate Haptic	
<b>Refractive Index</b>	1.465	
<b>A-Constant</b>	118.2 ( SRK-T, US Biometry )* 118.6 ( SRK-T, Optical Biometry )* 1.67 (Barrett Universal II LF)*	

\*The mentioned value are estimates. It is recommended that the surgeon derives his/her own values based on the refractive outcome.



**CAREGROUP SIGHT SOLUTION PRIVATE LIMITED**  
Block No.: 310/C&E, Village Dabhasa, Taluka - Padra,  
Dist. Vadodara - 391 440, Gujarat, India.  
customer@caregroupiol.com  
www.caregroupiol.com