

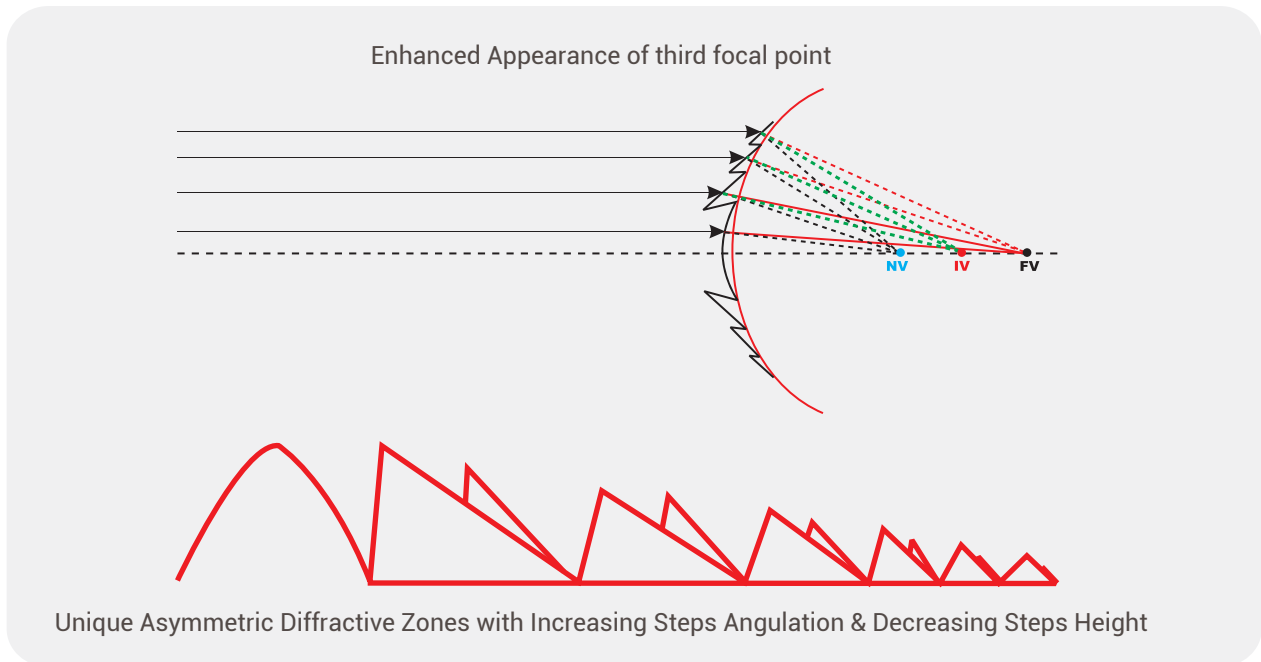


True Trifocal Hydrophobic MICL



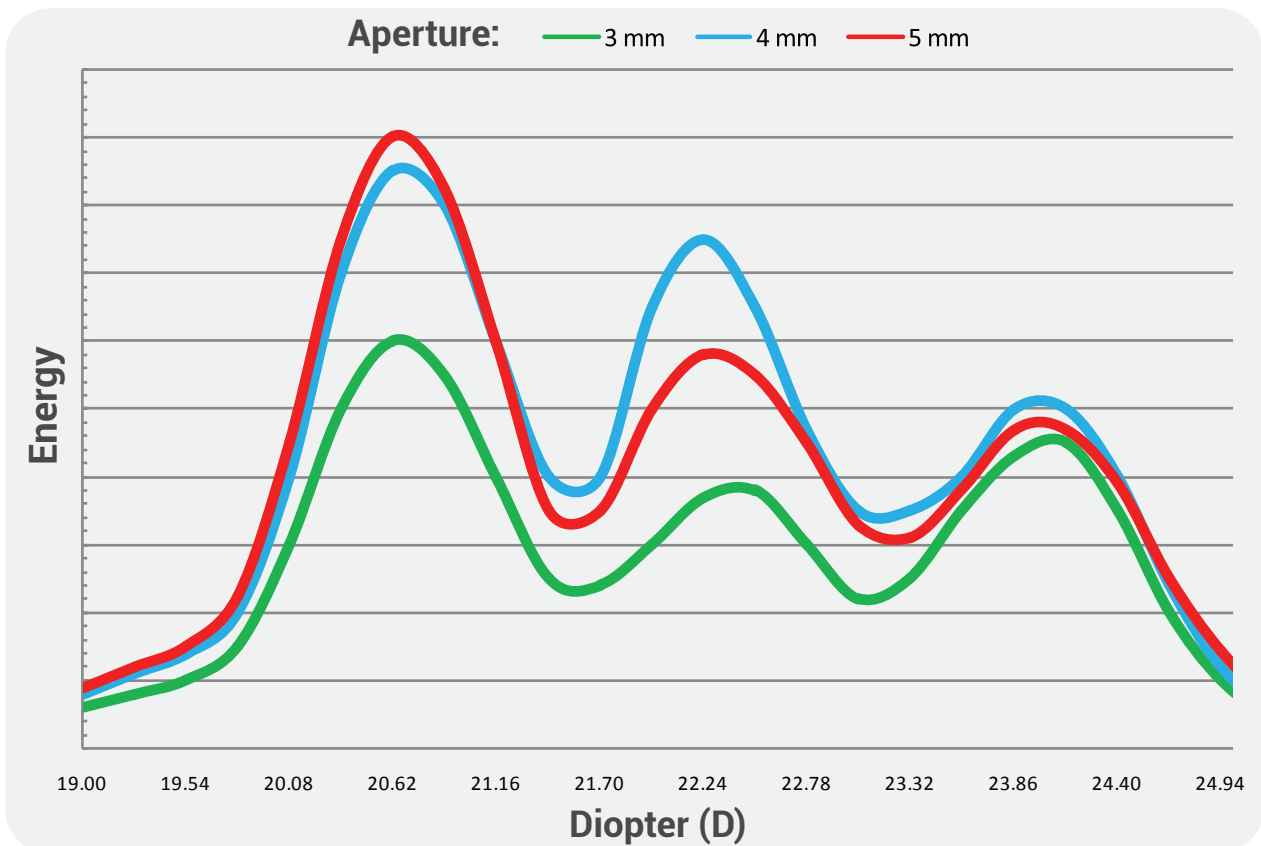
TriPhobic Dynamic Adaptation

Patented refractive-diffractive cast molded optic design



Advantages

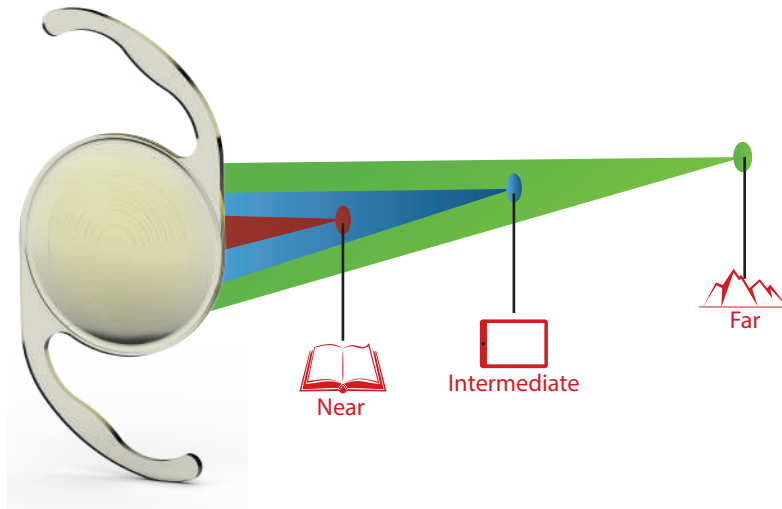
- ⊙ Provides Seamless Vision for Near, Intermediate and Distance
- ⊙ Reduces pupil dependency
- ⊙ Dynamic Light distribution



TriPhobic Dynamic Light Distribution

Triphobic IOL has a unique diffractive profile that provides dynamic light-energy distribution. This leads to remarkable spectacle-free visual outcome for all light conditions such as photopic, scotopic and mesopic.

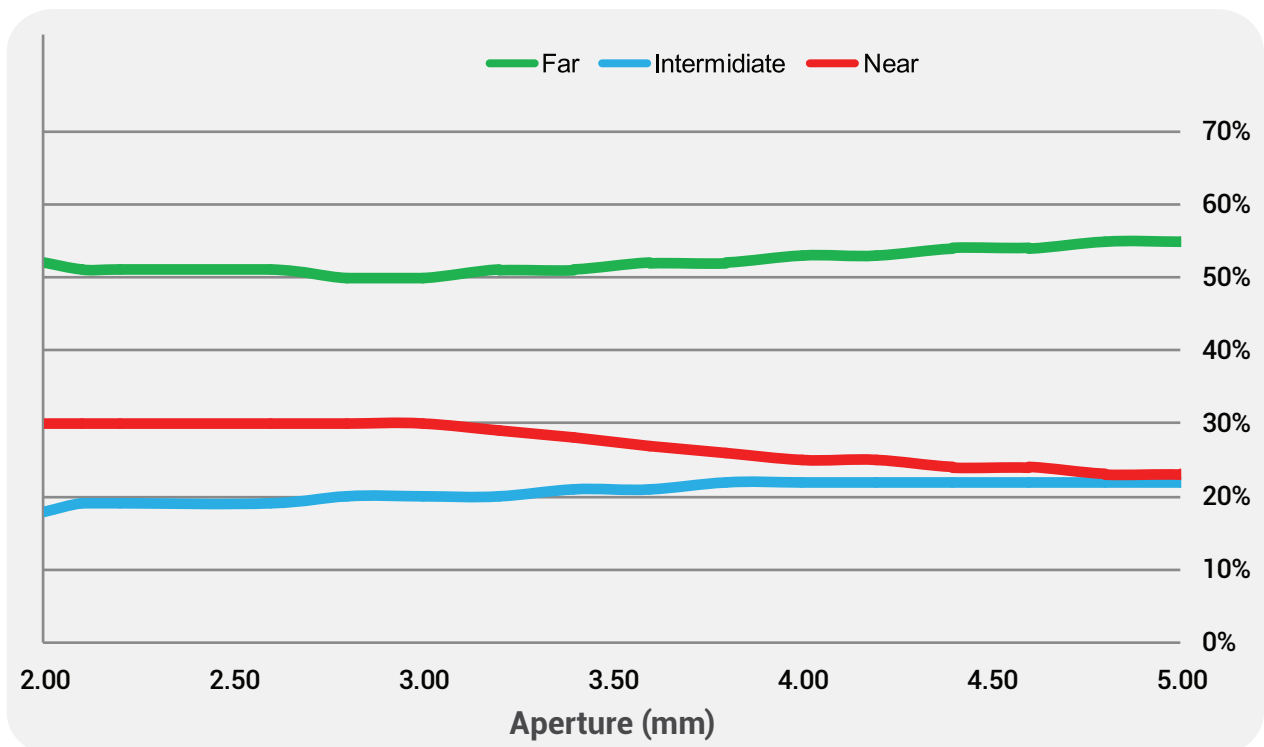
Triphobic HD IOL provides excellent fixation in the capsular bag given its unique dimensional stability and centration.



Light distribution In photopic condition: 52 % Far, 18 % Intermediate, and 30 % Near

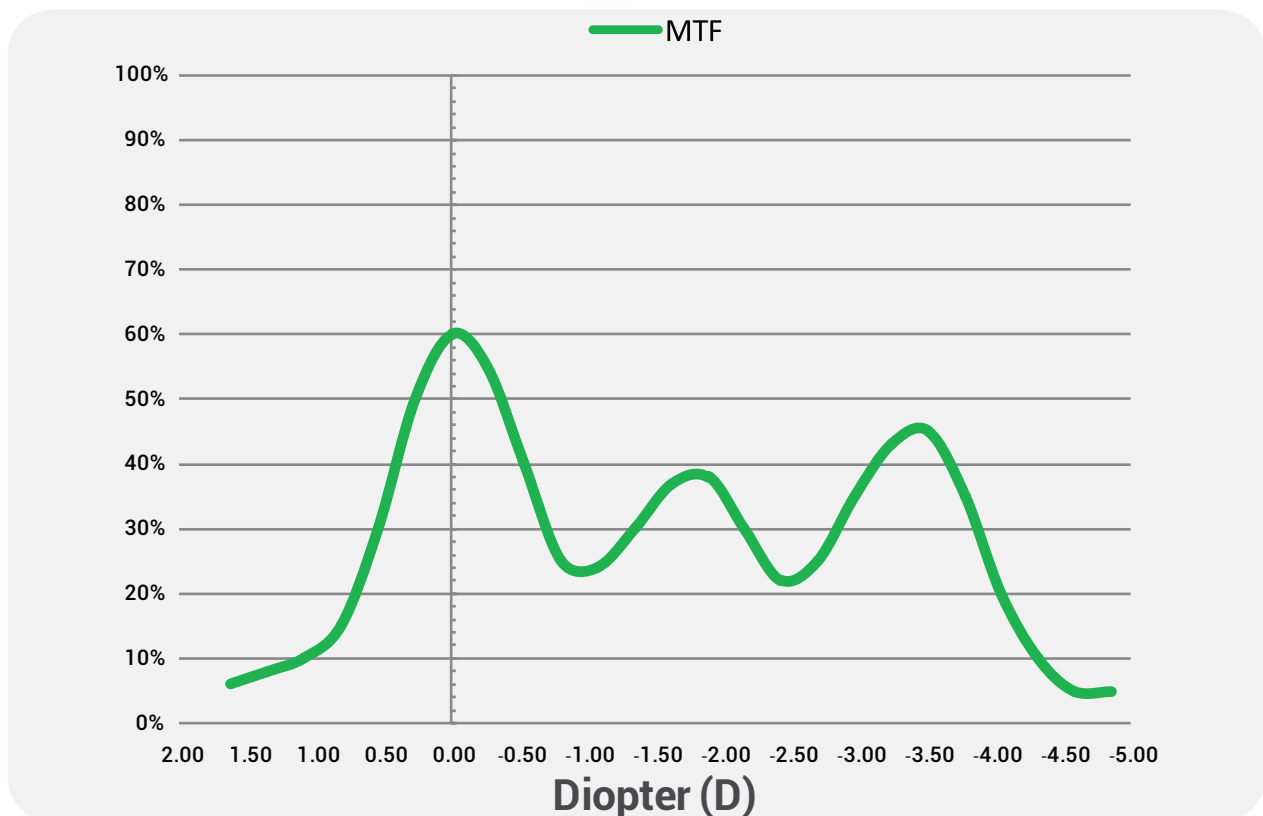
Light distribution In scotopic condition: 50 % Far, 20 % Intermediate, and 30 % Near

Light distribution in mesopic condition: 53 % Far, 22 % Intermediate, and 25 % Near



TriPhobic Dynamic Optic Performance

MTF (Modulation Transfer Function) is a crucial attribute of an optical system to transfer contrast from the object to the image. A higher MTF value ensures better contrast sensitivity.



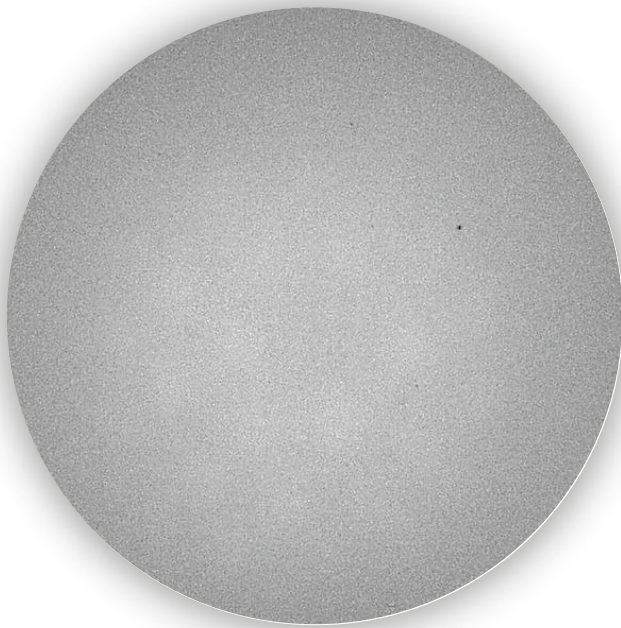
TriPhobic Patented Material Technology

TriPhobic HD is an essentially a glistening free material to reduce visual disturbances, minimising the loss of light.

The optical quality is enhanced through a unique cast molding process without a need for any subsequent polishing process



Apart from the novel design, the material is developed to have enhanced stability across the temperature gradient for better operating room experience for surgeons and exceptional visual outcomes for patients

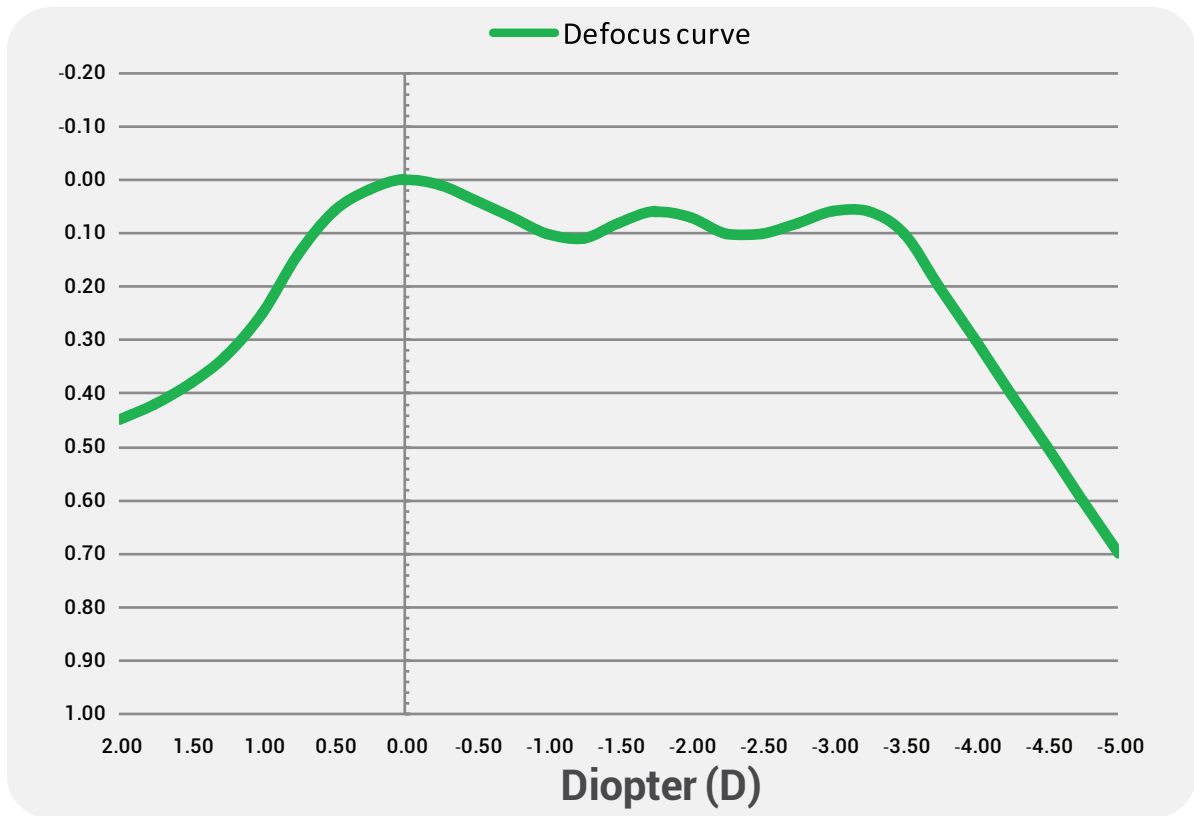


TriPhobic Image (22X) at accelerated glistening formation conditions

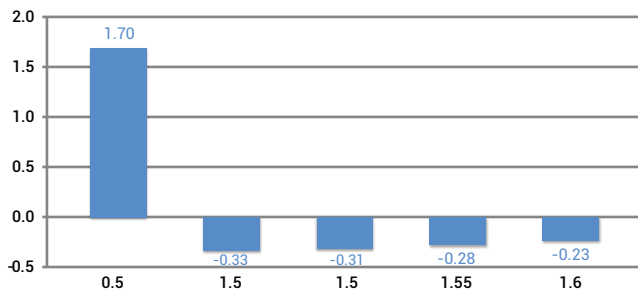
We set a new standard in preventing glistenings by developing a material that maintains the long range order through the product life cycle.

The Triphobic HD lens material is equivalent or superior to the material of new generation hydrophobic lenses.

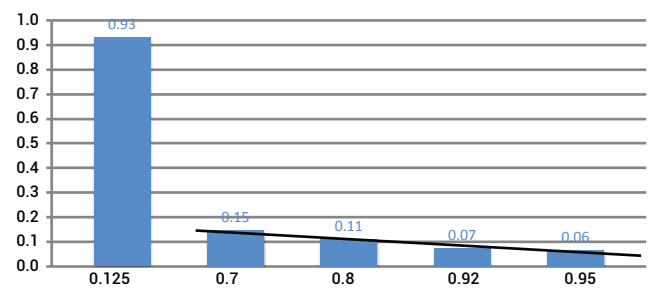
TriPhobic Visual Outcomes



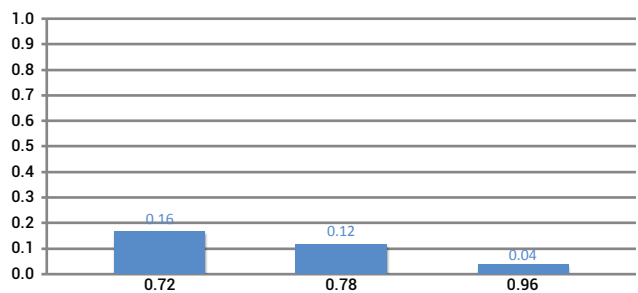
Results - Spherical Equivalent



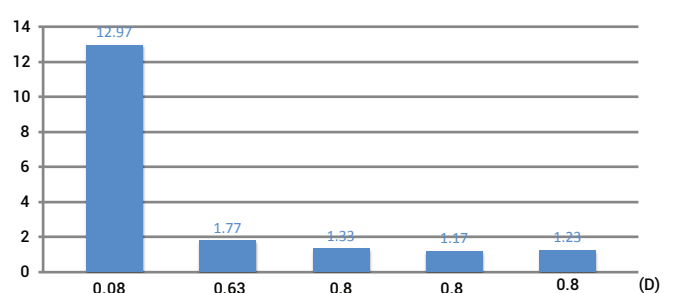
Results - Uncorrected Distance VA (UDVA)



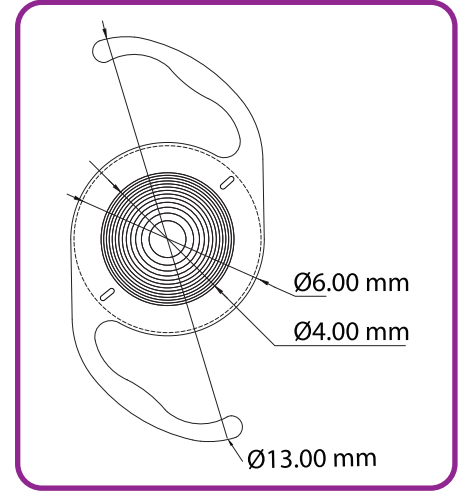
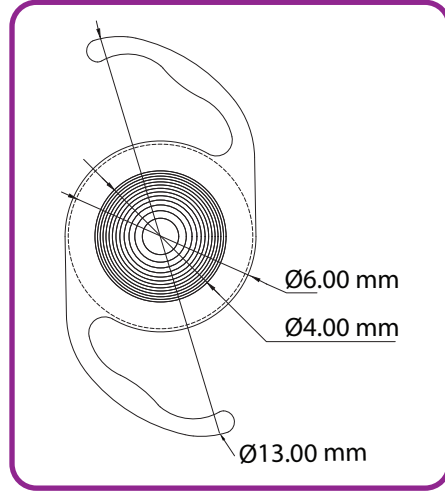
Results - Uncorrected Intermediate VA (UIVA)



Results - Uncorrected Near VA (UNVA)



TriPhobic Technical Parameters



Platform	True trifocal, Aspheric, Foldable, Single Piece, Synchronised cast molded hydrophobic acrylic IOL	
Model	AS-6TD	AS-6TDT
Optic Design	Triphobic HD(Patented Technology)	Triphobic Toric HD(Patented Technology)
Optic Size	6.00 mm	
Haptic Size	13.00 mm	
Haptic Design	C loop haptic (suitable for MICS)	
Haptic Angle	0°, Uniplanar	
Material	Hydrophobic acrylic polymer with UV filter & blue light blocker	
Optic Type	Negative Aspheric	
Light Transmission	> 90.0 %	
Light Distribution	Light distribution In photopic condition: 52 % Far, 18 % Intermediate, and 30 % Near Light distribution In scotopic condition: 50 % Far, 20 % Intermediate, and 30 % Near Light distribution in mesopic condition: 53 % Far, 22 % Intermediate, and 25 % Near	
Square Edge	All Enhanced Square Edge	
Refractive Index Wet	25° C; 1.535 ± 0.002	
Acoustic A Constant	118.8	
Optical A Constant	SRK-T: 119.3 Haigis a0, a1, a2: 1.362, 0.4, 0.1 Hoffer Q pACD: 5.57 Holladay sf: 1.79 Barrett Universal II LF: 1.91	
Diopter Power Range	sph 0.0 D to +40.0 D (0.5 D increment)	sph 0.0 D to +35.0 D (0.5 D increment) cyl +0.5 D to + 6.0 D (0.5 D increment)





True Trifocal Hydrophobic MICL



care
GROUP
LOOK FORWARD

CAREGROUP SIGHT SOLUTION PRIVATE LIMITED

Block No.: 310/C&E, Village Dabhasa, Taluka - Padra,
Dist. Vadodara, Gujarat - 391 440
INDIA

customercare@caregroupiol.com
www.caregroupiol.com



care
GROUP
LOOK FORWARD